

Overview

KK1 is a system for one tube (D ... F) intended to mount in air-ducts or closed housings

Applications are pollutants degradation, air refreshment, air disinfection and odor elimination for industrial, commercial use

Specifications

Voltage	230 VAC ± 10% 50Hz 115 VAC ± 10% 60Hz		
Power Consumption	F-Tube 5.2 W	E-Tube 3.2 W	D-Tube 2.6 W
Bentax® Tube Types	VTN or VTX		
Max Air-Volume *	F-Tube 900 m ³ /h	E-Tube 700 m ³ /h	D-Tube 300 m ³ /h
Weight	~ 1 kg		

* Depending on: Air Quality, VOC, VVOC, Air Change Rate

Order Numbers KK1 System

	Voltage	Order #
KK1-EB	230	KK-01-1A-A1
KK1-EB	115	KK-01-1B-A1
KK1-CGS	230	KK-01-1A-A3
KK1-CGS	115	KK-01-1B-A3
KK1-DK	230	KK-01-1A-A4
KK1-DK	115	KK-01-1B-A4

Order Numbers Options

KK1-OPL	KK-01-1Z-01
KK1-OMF	KK-01-1Z-02
KK1-OTS	KK-01-1Z-03

Order Numbers Ionization Tubes

	Order #		Order #
VTN-F	61-11-11-11	VTX-F	61-11-12-11
VTN-E	61-11-11-12	VTX-E	61-11-12-12
VTN-D	61-11-11-13	VTX-D	61-11-12-13

Power Connections KK1-xxx



-EB
Base System with C14 power-socket (IEC 60320-1) with illuminated switch, fusebox and a C13 powercord (country specific)



-CGS
Base System with Fusebox and a 3 poles powercable (1m) with pre-stripped wire-ends.



-DK
Base System with Phoenix® feed-through terminal block (incl. Plug-Screw-Terminal)

Mounting Options



Base System mountable with hinge. Used when free access to the tube is ensured



KK1-OPL
Additional Mount-Plate Set for air-duct applications



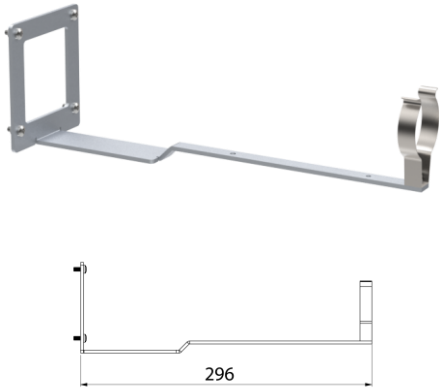
KK1-OMF
Additional Mounting-Frame Set (Frame & Mount-Plate) for air-duct applications. Allows quick access for Tube-Maintenance



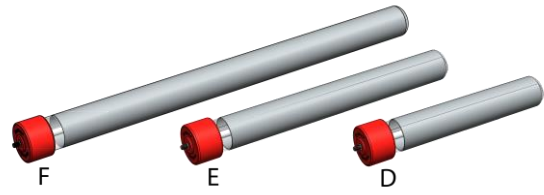
KK1-OTS
Additional Tube Holder Support for air-duct applications with high air-speed or vibrations

Tube Support (KK1-OTS)

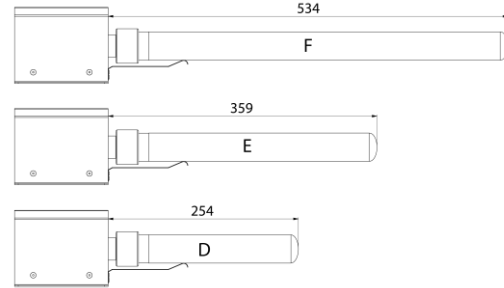
Optional Tube Holder Support for air-duct applications with high air-speed ($\sim > 5\text{m/s}$) or vibrations
Only applicable for tubes type F or E



Ionization Tubes



Select a tube as mandatory option when ordering a system. Tube Types **VTN** or **VTX** available



Dimensions (mm)

